

**AXOR Edge**  
**Widespread Faucet 130 - Diamond Cut, 1.2 GPM**  
 Finishes :      Part no. : **46051001**



**Features**

- Spray modes: Aerated spray
- Flow: 1.2 GPM (4.5 L/Min)
- 90° ceramic valves
- Does not include: Pop-up assembly

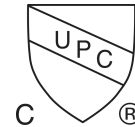
**Item details**

List Price \$ 2,852.00

**Technology**



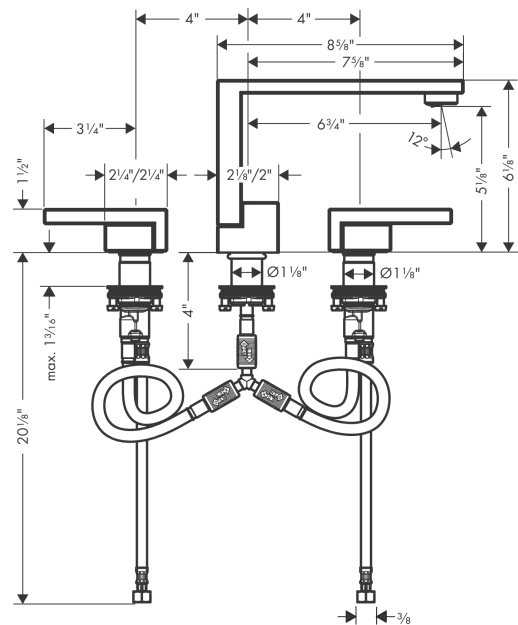
**Compliance**



**Product image**



**Scale drawing**

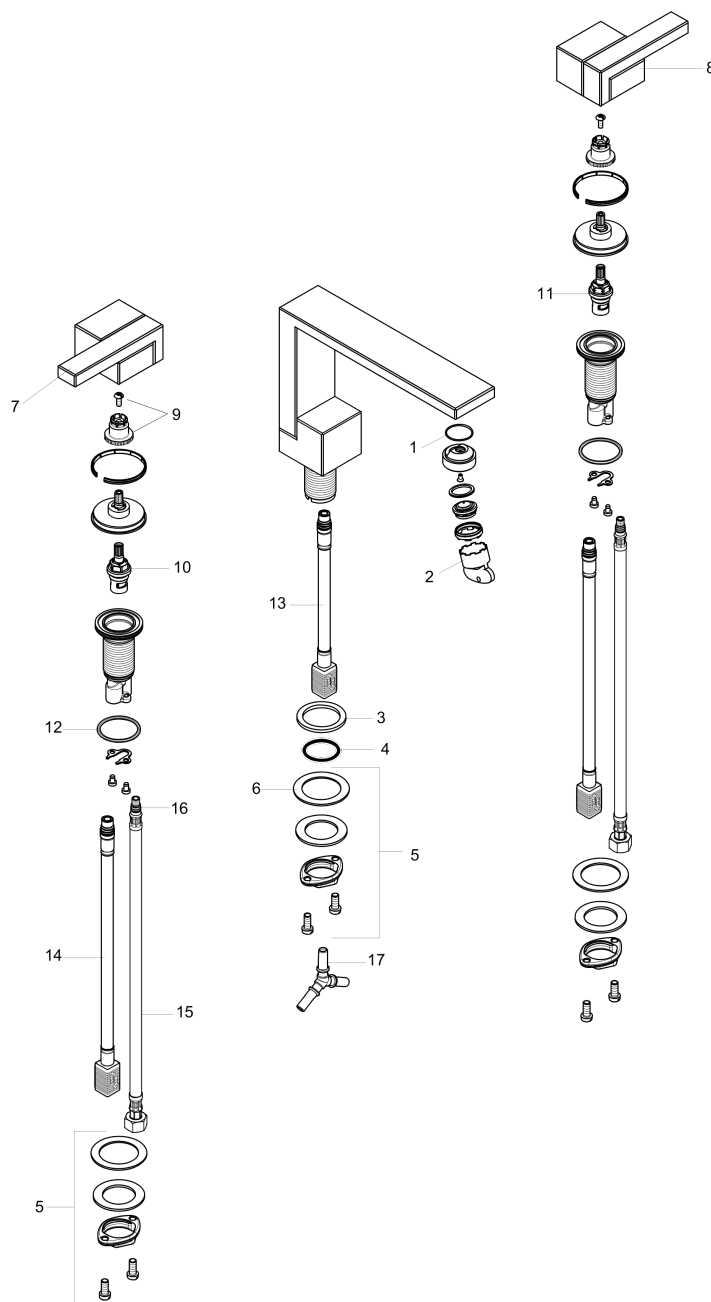


**AXOR Edge**  
**Widespread Faucet 130 - Diamond Cut, 1.2 GPM**  
Finishes : Part no. : **46051001**



## Exploded drawing

Year of production: >01/20



**AXOR Edge**  
**Widespread Faucet 130 - Diamond Cut, 1.2 GPM**  
 Finishes : Part no. : **46051001**



## Spare parts list

Year of production: >01/20

Pos.		Part no.	Price	PU
1	O-ring 22x1,2	98397000	-	1
2	service tool	95661000	-	1
3	flat seal	98749000	-	1
4	O-ring 26x4	92191000	-	1
5	null	92909000	-	1
6	lever collar	97548000	-	1
7	handle for hot water	93619000	-	1
8	handle for cold water	93620000	-	1
9	handle fixing set	94184000	-	1
10	shut off unit right closing	98817001	-	1
11	shut off unit left closing	95366001	-	1
12	null	92907000	-	1
13	null	92913000	-	1
14	null	92914000	-	1
15	connection hose 18½" M8x0,75 3/8"	96321001	-	1
16	O-ring 7x1,5	98422000	-	1
17	hose connection angel	92905000	-	1